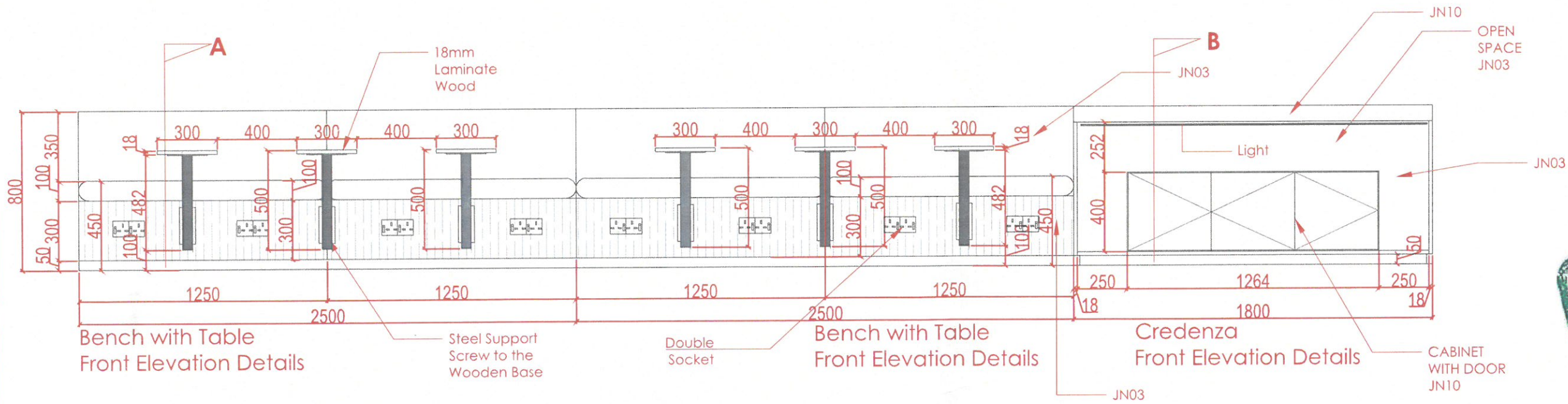
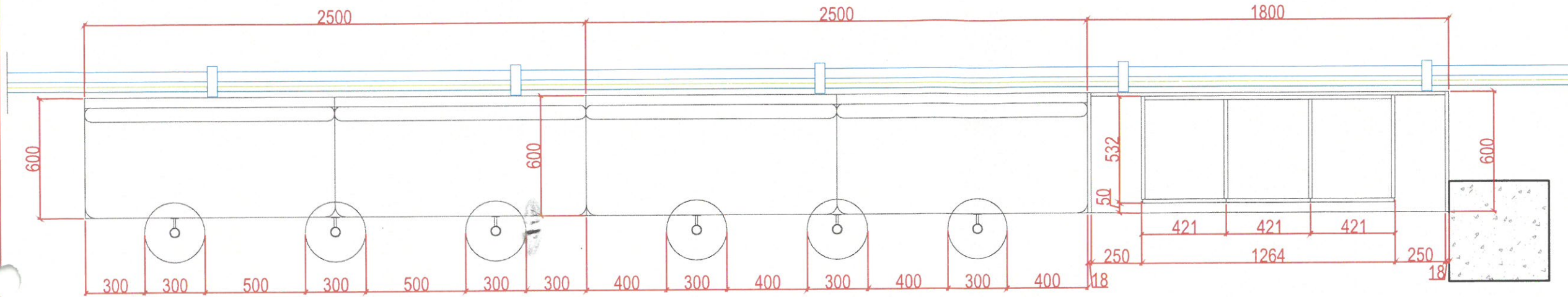


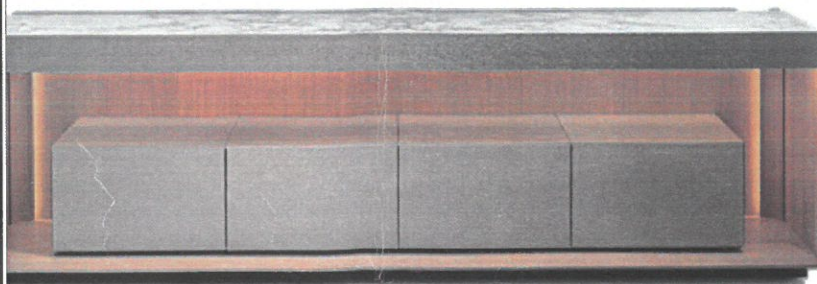
BOARD ROOM

BENCH WITH ROUND SIDE TABLE FIXED TO THE BENCH

4TH Floor



Ref. Image



FINISHES	
JN-13	
JN-10	
JN-03 STARWOOD 905	



Date	Description
DSD-V1-ID-17/11/2024	REV1
DSD-V1-ID-27/1/2025	REV2

FOR APPROVAL

Project No. : ---
Scale : N/A
Drawn by : OBJ
Checked : OBJ
Cad File : CAD_FILE

Sheet title
4TH FLOOR
BOARD ROOM
Bench with Table and Credenza
Floor Plan / Elevation / Sections

Dwg No. WS-DS-SD-ND-027	No. SHEET 4
----------------------------	----------------

BOARD ROOM

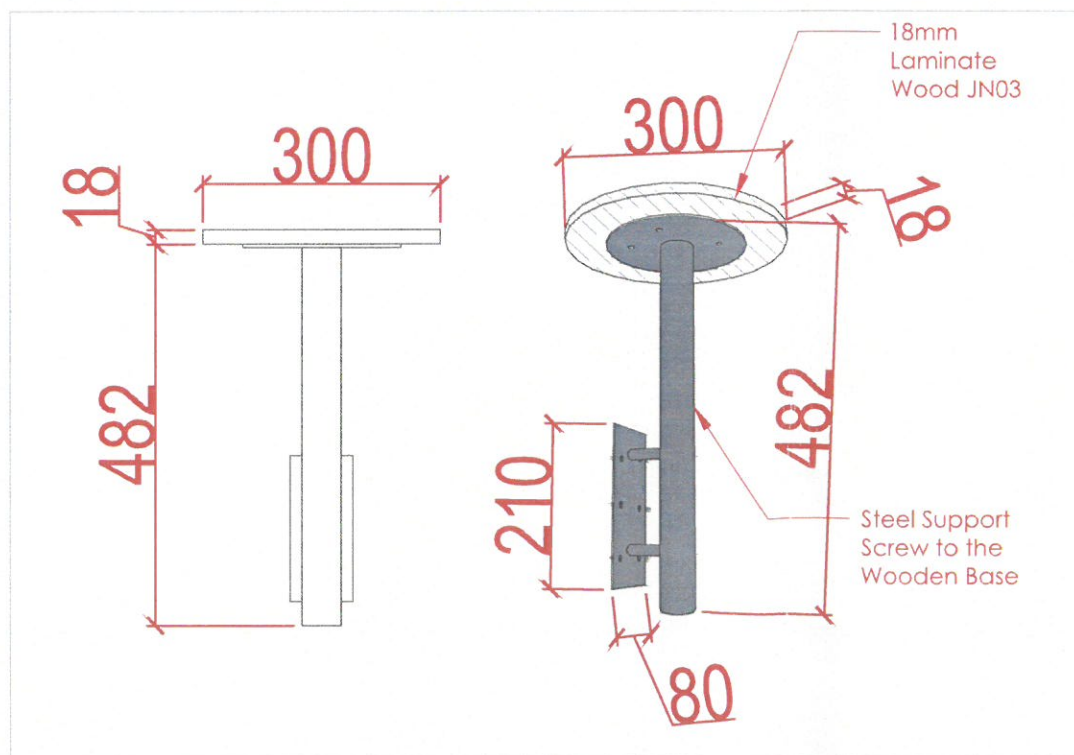
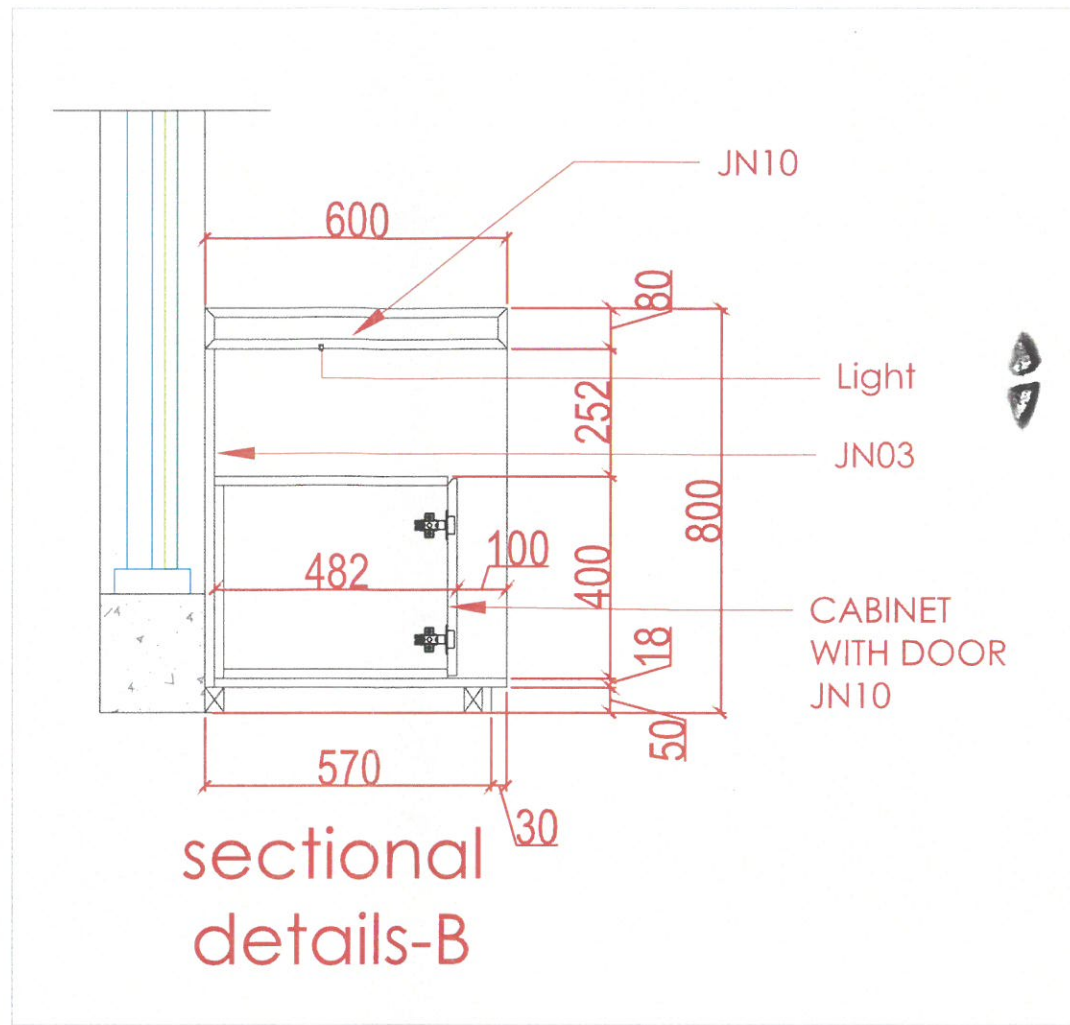
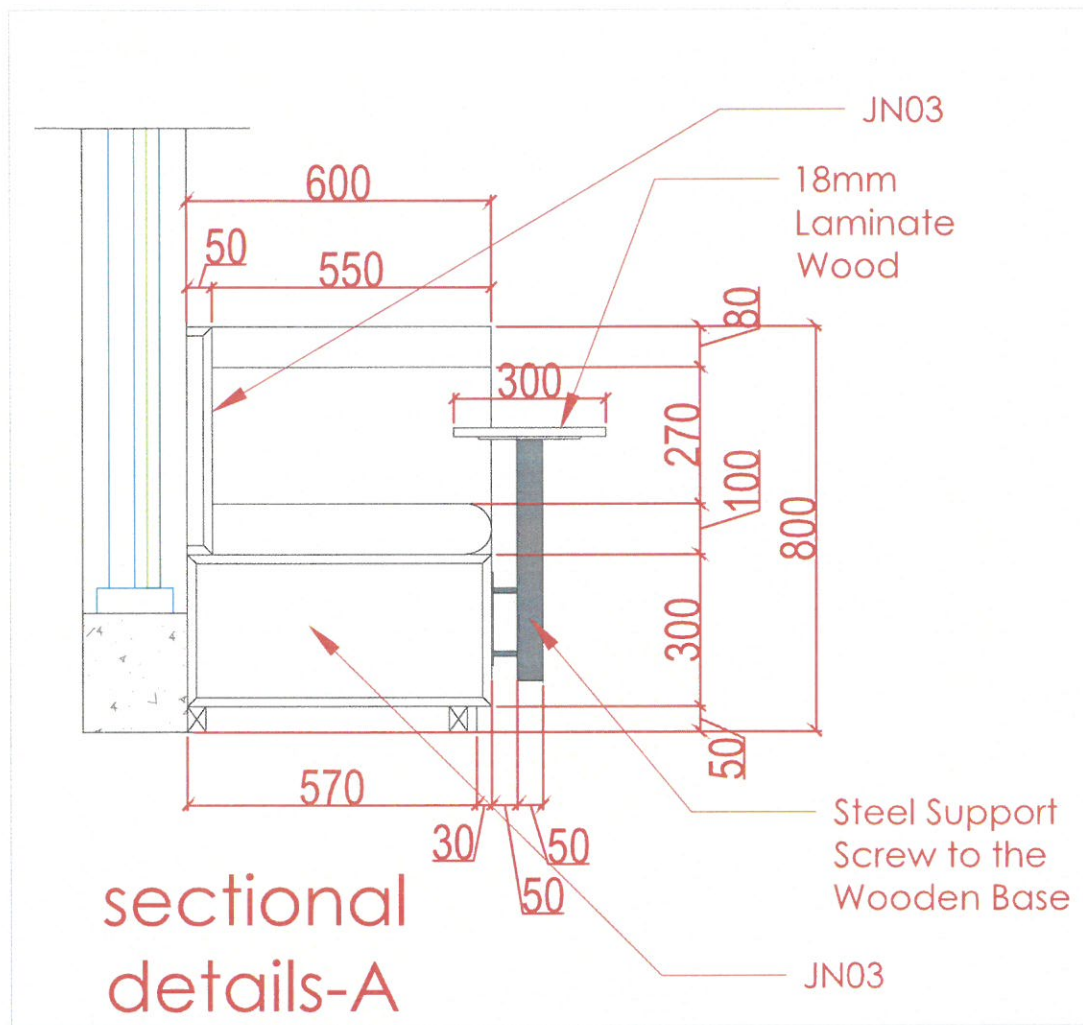
BENCH WITH ROUND SIDE TABLE FIXED TO THE BENCH
4TH Floor

Project



Owner

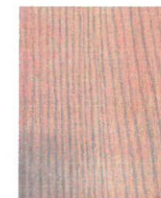
Date Description
DSD-V1-ID-17/11/2024 - REV1
DSD-V1-ID-27/11/2025 - REV2



Steel support - 6 pcs
LED Light
Handle - 3 pcs
Fabric

FINISHES

JN-03
STARWOOD 905



JN-10



FOR APPROVAL

Project No. : --
Scale : N/A
Drawn by : OBJ
Checked : OBJ
Cad File : CAD_FILE

Sheet title
4TH FLOOR
BOARD ROOM
Bench with Table and Credenza
Sectional Details

Dwg No. WS-DS-SD-ND-027 No. SHEET 5